



## FEATURES & SPECIFICATIONS:

### Construction

- Body is one-piece fiberglass reinforced polyester with an internal corrosion-resistant channel constructed of pre-painted aluminum
- Standard 4' housing includes six molded Celcon white latches that provide a positive seal between the diffuser and gasket
- ½" watertight hubs are furnished on both ends of the fixture

### Optical system

- Lens is a 15% DR acrylic diffuser with an internal crepe pattern allowing a smooth exterior surface for ease of cleaning
- The diffuser flange fits snugly into the gasketed retention slot forming a continuous tight seal
- Optional diffusers include a high impact 100% DR acrylic (DR) and a clear prismatic polycarbonate (CPP)

### Electrical System

- Ballasts are UL listed (UL 935) and CSA certified, Class P, high power factor, Type 1 Outdoor
- All electronic ballasts are supplied standard with universal voltage (120-277V, ≤10% THD) operating at 50/60HZ
- Cold weather operation to -20°C (T8HO & T12HO) or 0°C (T8)
- Cold weather operation to 0°C with optional battery pack
- Lamps are included

### LISTINGS:

- UL/CUL Listed (UL 1598)
- Suitable for wet locations
- IP65

### APPLICATIONS:

- Non-hazardous locations where dust, dirt, corrosive & wet conditions are present
- Refrigerated areas
- Car washes
- Cold storage
- Canopies
- Dock areas

### OPTIONS:

- 100% DR Acrylic lens
- Clear prismatic polycarbonate lens
- Mounting brackets
- Tamper-resistant latches
- Stainless steel latches
- Emergency battery
- Fusing

### SHIPPING WEIGHT:

- 22 LBS

# FWL SERIES

## ORDERING INFORMATION (Please enter your information in the boxes provided below)

SERIES/LENGTH	# OF LAMPS	LAMP TYPE	VOLTAGE	OPTIONS
<b>FWL4</b>	<b>2</b>	<b>32</b>	<b>U</b>	<b>-----</b>
SERIES/LENGTH FWL4 = 4'	# OF LAMPS 2 = 2 LAMPS	LAMP TYPE 28 = 4', 28W T5 32 = 4', 32W T8 44H = 4', 44W T8HO 48H = 4', 60W T12HO 54H = 4', 54W T5HO	VOLTAGE U* = 120/277 (≤10% THD) 120 = 120 VOLT 277 = 277 VOLT *SUPPLIED STANDARD	OPTIONS TBK = TOP MOUNT BRACKET SSL = STAINLESS STEEL LATCHES TL = TAMPER RESISTANT LATCHES F = FUSING (FAST BLOW) MB = MAGNETIC BALLAST (T12HO ONLY) DR = 100% DR ACRYLIC LENS (HIGH IMPACT) CPP = CLEAR PRISMATIC POLYCARBONATE LENS LL = LESS LAMPS EM6W = EMERGENCY BATTERY PACK (600 LUMENS) EM11W = EMERGENCY BATTERY PACK (1100 LUMENS) *Battery packs for use in wet locations

## MOUNTING OPTIONS

\*\*Mounting kits include two brackets and hardware

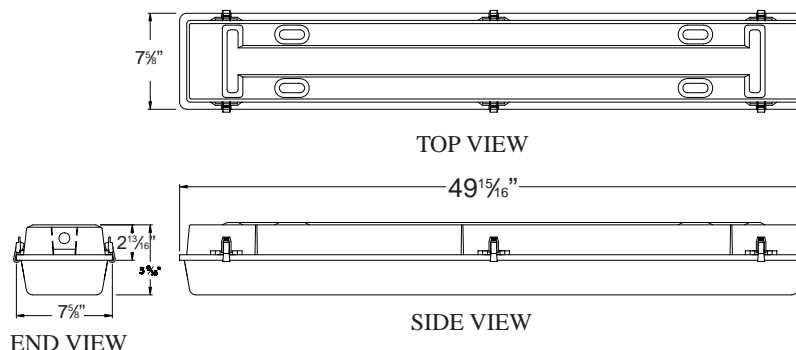


FBK = FULL HOUSING BRACKET  
STANDARD



TBK = TOP MOUNT BRACKET  
OPTIONAL

## DIMENSIONS



INDATECH LIGHTING  
5910 WEST BY NORTHWEST #100  
HOUSTON, TX 77040

[www.indatechlighting.com](http://www.indatechlighting.com)

713-937-3600 Phone  
866-563-2832 Phone  
713-937-3604 Fax