



FEATURES & SPECIFICATIONS:

Construction

- Extruded copper-free aluminum housing with die cast ends
- Low-profile housing with 300° light distribution
- All external hardware is stainless steel to resist corrosion
- Slide-out ballast tray allows easy maintenance
- Standard finish is natural aluminum

Optical System

- Impact resistant heavy wall polycarbonate tubes for lamp protection

Electrical System

- Ballasts are UL listed (UL 935) and CSA certified, Class P, high power factor, Type 1 Outdoor, Type HL
- All electronic ballasts are universal voltage (120-277V, $\leq 10\%$ THD) operating at 50/60HZ standard
- Cold weather operation to -20°C (T8HO & T12HO) and 0°C (T8)
- Cold weather operation to 0°C with optional battery pack
- Lamps are supplied standard on both 2' & 4' models

HLP SERIES

ALUMINUM
FLUORESCENT
HAZARDOUS
CLASS I, DIV. 2
GROUPS A, B, C & D

LISTINGS:

ETL Tested to UL 844

Class I, Div. 2 Groups A, B, C & D

ETL Tested to UL 1598A

Marine/Outdoor use

APPLICATIONS:

- Coastal marine areas
- Chemical plants
- Pharmaceutical plants
- Coastal marine facilities
- Mining
- Cold storage facilities
- Waste water treatment plants
- Hazardous storage areas
- Corrosive environments

OPTIONS:

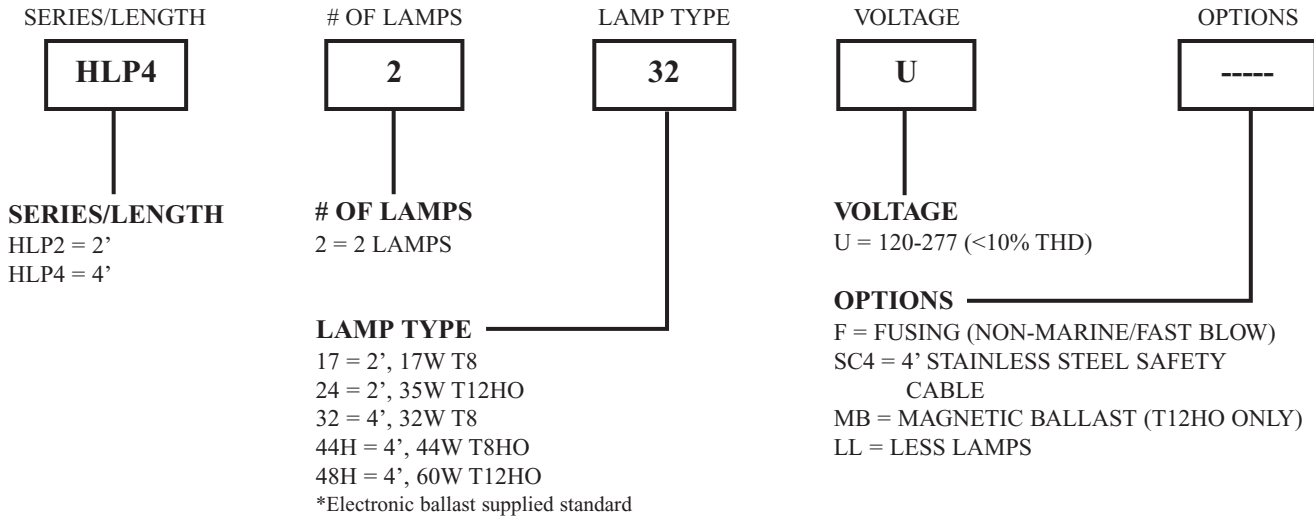
- Fusing (Non-Marine)
- Shock mount for excessive vibration
- 4' Stainless steel safety cable

SHIPPING WEIGHT:

- 30 LBS

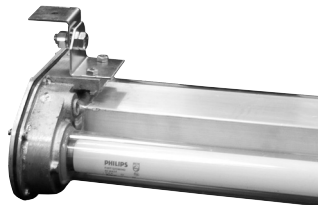
HLP SERIES

ORDERING INFORMATION



MOUNTING ACCESSORIES

Mounting hardware is **not included with fixtures and must be ordered separately.



AMK = Adjustable Mount Kit

DIMENSIONS

