

HRTL SERIES

ALUMINUM OR
STAINLESS STEEL LED
HAZARDOUS
CLASS I, DIV. 2
GROUPS A, B, C & D



FEATURES & SPECIFICATIONS:

Construction

- Heavy-duty, copper-free aluminium formed and welded housing and door frame
- Available in 2' and 4' lengths
- All external hardware is stainless steel to resist corrosion
- One-piece, high temperature propylene gasket provides a water-tight seal between the door frame & housing
- Latching system allows for tool free access (see insert below)
- $\frac{3}{4}$ " hub-supplied on one end, with option for dual hubs for thru wiring
- Standard finish is natural aluminum

Optical System

- Impact resistant polycarbonate lens standard, other lenses available

Electrical System

- Maximum output 10,750 Lumens at 88W, other wattages available
- 121 Lumens per watt or greater
- Operating temperature from -40°C to 55°C
- Driver operates at 120-277V, 50/60Hz
- CRI > 80 at 3000K, 3500K & 4000K (standard)
- 5 year warranty on LED system when installed per instructions

LISTINGS:

- ETL Tested to UL 844
Class I, Div. 2 Groups A, B, C & D
- ETL Tested to UL 1598A
Marine/Outdoor use
- IP 66

APPLICATIONS:

- Waste water treatment plants
- Pulp and paper mills
- Chemical plants
- Pharmaceutical plants
- Mining
- Cold storage
- Hazardous storage areas
- Corrosive environments

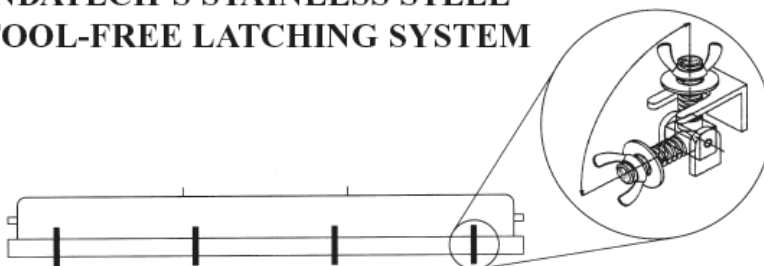
OPTIONS:

- Adjustable mounting bracket kit
- $\frac{3}{4}$ " size hubs on both ends
for thru wiring
- 4' Stainless steel safety cable

Shipping Weight:

- 14 LBS

INDATECH'S STAINLESS STEEL TOOL-FREE LATCHING SYSTEM



HRT-LED SERIES

ORDERING INFORMATION

SERIES/LENGTH

HRTL*

SERIES
HRT2 = 2'
HRT4 = 4'

MATERIAL

MATERIAL
A = ALUMINUM
SS = STAINLESS STEEL

LED WATTAGE

LED WATTAGE
2' MODEL
20 = 27W
40 = 44W

4' MODEL
50 = 54W
80 = 77W
90 = 88W

VOLTAGE

U

VOLTAGE
U = 120-277 (<10% THD)

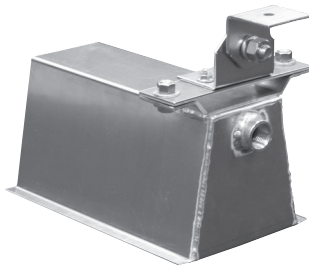
OPTIONS

OPTIONS
SC4 = 4' STAINLESS STEEL SAFETY CABLE
TW = 3/4" HUBS ON BOTH ENDS FOR THRU WIRING
EM = EMERGENCY BATTERY
(CONSULT FACTORY)

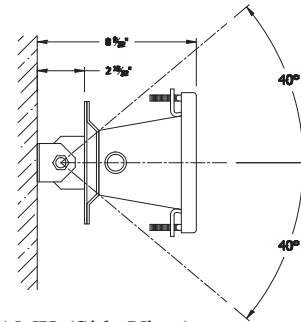
MOUNTING ACCESSORIES

Mounting hardware is **not included with fixtures and must be ordered separately

**Mounting kits include two brackets and hardware



AMK = Adjustable Mounting Kit - Aluminum



AMK (Side View)

DIMENSIONS

