

# HRT-AL SERIES

**ALUMINUM  
FLUORESCENT  
HAZARDOUS**

**CLASS I, DIV. 2**

**GROUPS A, B, C & D**



## FEATURES & SPECIFICATIONS:

### Construction

- Heavy-duty formed and welded housing and door frame of copper-free aluminum
- All external hardware is stainless steel to resist corrosion
- One-piece high temperature propylene gasket provides a water-tight seal between the door frame and housing
- Latching system allows for tool-free access to lamp chamber (see inset below)
- 3/4" hub supplied on one end with option for hubs on both ends for thru-wiring
- Standard finish is natural aluminum

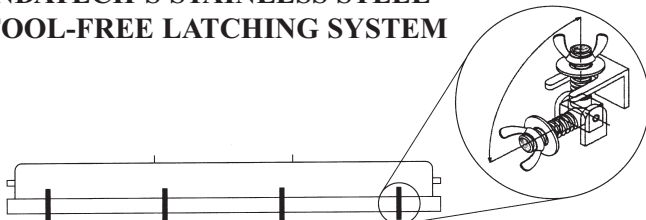
### Optical System

- Impact resistant polycarbonate lens is standard, other lenses available
- High reflectance die formed pre-coated aluminum reflector

### Electrical System

- Ballasts are UL listed (UL 935) and CSA certified, Class P, high power factor, Type 1 Outdoor, Type HL
- All electronic ballasts are universal voltage (120-277V,  $\leq 10\%$  THD) operating at 50/60HZ standard
- Cold weather operation to -20°C (T8HO & T12HO) and 0°C (T8)
- Cold weather operation to 0°C with optional battery pack
- Lamps are supplied standard on both 2' & 4' models

## INDATECH'S STAINLESS STEEL TOOL-FREE LATCHING SYSTEM



### LISTINGS:

ETL Tested to UL 844

Class I, Div. 2 Groups A, B, C & D

ETL Tested to UL 1598A

Marine/Outdoor use

IP 66

### APPLICATIONS:

- Waste water treatment plants
- Pulp and paper mills
- Chemical plants
- Pharmaceutical plants
- Mining
- Cold storage
- Hazardous storage areas
- Corrosive environments

### OPTIONS:

- Emergency battery (1 or 2 lamps, 350-575 lumens)
- Fusing (Non-Marine)
- Adjustable mounting bracket kit
- 3/4" size hubs on both ends for thru wiring
- 4' Stainless steel safety cable

### Shipping Weight:

- 14 LBS

# HRT SERIES ALUMINUM

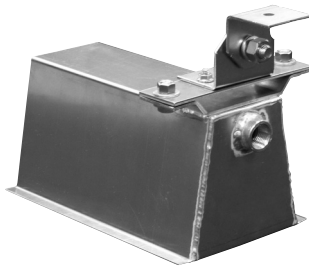
## ORDERING INFORMATION

| SERIES                                  | # OF LAMPS                                     | LAMP TYPE   | VOLTAGE                                  | OPTIONS  |
|---|--|---|--|--|
| <b>HRT4</b>                             | <b>2</b>                                       | <b>32</b>   | <b>U</b>                                 | -----  |
| <b>SERIES</b><br>HRT2 = 2'<br>HRT4 = 4' | <b># OF LAMPS</b><br>1 = 1 LAMP<br>2 = 2 LAMPS | <b>LAMP TYPE</b><br>14 = 2', 14WT5<br>17 = 2', 17WT8<br>24H = 2', 24WT5HO<br>28 = 4', 28WT5<br>32 = 4', 32WT8<br>44H = 4', 44WT8HO<br>48H = 4', 60WT12HO<br>54H = 4', 54WT5HO | <b>VOLTAGE</b><br>U = 120-277 (<10% THD) | <b>OPTIONS</b><br>EMH = EMERGENCY BATTERY PACK (4' ONLY)<br>F = FUSING (NON-MARINE/FAST BLOW)<br>SC4 = 4' STAINLESS STEEL SAFETY CABLE<br>TW = 3/4" HUBS ON BOTH ENDS FOR THRU WIRING<br>LL = LESS LAMPS |

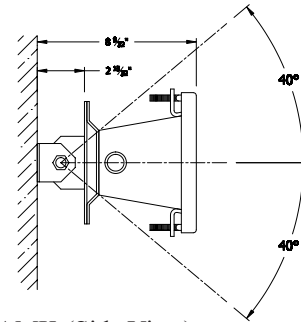
## MOUNTING ACCESSORIES

\*\*Mounting hardware is **not** included with fixtures and must be ordered separately

\*\*Mounting kits include two brackets and hardware



AMK = Adjustable Mounting Kit - Aluminum



AMK (Side View)

## DIMENSIONS

