



**WP SERIES
WALLPACK
HID
COMPACT
FLUORESCENT
LED**

FEATURES & SPECIFICATIONS:

Construction

- Heavy-duty die cast aluminum housing and door frame available in three sizes: WP1 (150W HID, LED, CFL), WP2 (250W) & WP3 (400W)
- Hinged door frame allows for easy maintenance
- One-piece silicone gasket forms a water-tight seal between the housing and door frame
- ½" knockouts for field installation of photocell (by others)
- Standard finish is dark bronze powder coat

Optical System

- Heat and impact resistant tempered borosilicate glass lens
- One-piece anodized aluminum reflector

Electrical System

- Quad-tap CWA, Class H ballasts are supplied with all metal halide fixtures and 250W & 400W high pressure sodium fixtures
- High reactance, high power factor quad-tap Class H ballast is supplied with 150W high pressure sodium
- Compact Fluorescent Ballast is Class P, Electronic, High Power Factor, <10% THD
- LED consists of (20) 1 watt LEDs 6100K
- Minimum starting temperature -40°C high pressure sodium -30°C metal halide, -20°C compact Fluorescent and -10°C LED
- Lamp(s) is included

LISTINGS:

- UL/CUL Listed (UL 1598)
- Suitable for wet locations

APPLICATIONS:

- Building perimeters
- Walkways
- Entrances
- Recreation areas
- Loading docks
- Tunnels

OPTIONS:

- Wire guard
- Visor
- Polycarbonate shield
- Photocell

SHIPPING WEIGHT:

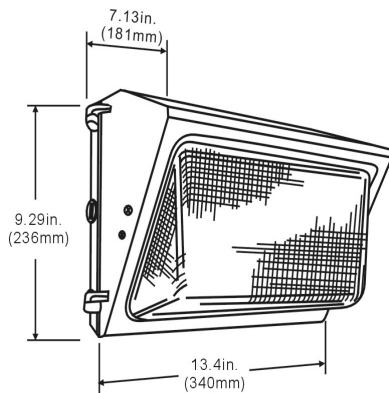
- 9.5 LBS (WP1 Series)
- 14 LBS (WP2 Series)
- 15.5 LBS (WP3 Series)

WP SERIES

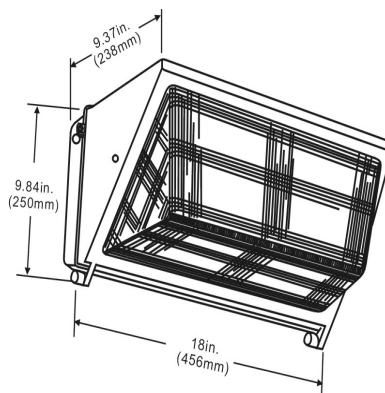
ORDERING INFORMATION

SERIES	WATTAGE	VOLTAGE	OPTIONS
WP3	40P	MT	----
SERIES/LENGTH WP1 = SMALL HOUSING (150W HID, LED, CFL (2) LAMPS) WP2 = MEDIUM HOUSING (250W) WP3 = LARGE HOUSING (400W)	WATTAGE/SOURCE PULSE START METAL HALIDE 17P = 175W (ED-28) 25P = 250W (ED-28) 32P = 320W (ED-28) 40P = 400W (ED-37) HIGH PRESSURE SODIUM 25S = 250W (ED-18) 40S = 400W (ED-18) COMPACT FLUORESCENT 26T = (2) 26W (QX24Q-3) 32T = (2) 32W (QX24Q-3) 42T = (2) 42W (QX24Q-4) LED 20L = 20W LED	VOLTAGE MT = MULTI-TAP BALLAST (120, 208, 277) 5T = FIVE TAP BALLAST (120, 208, 240, 277, 480)	OPTIONS (FIELD INSTALLED) WP1WG = WIREGUARD FOR WFI SERIES WP1V = VISOR FOR WPI SERIES WP1S = VANDAL SHIELD FOR WPI SERIES WP2WG = WIREGUARD FOR WP 2/3 SERIES WP2V = VISOR FOR WP 2/3 SERIES * Vandal shield not available with WP 2/3 Series EM = EMERGENCY BATTERY (FOR CFL ONLY) * 1 Lamp operation for 90 minutes

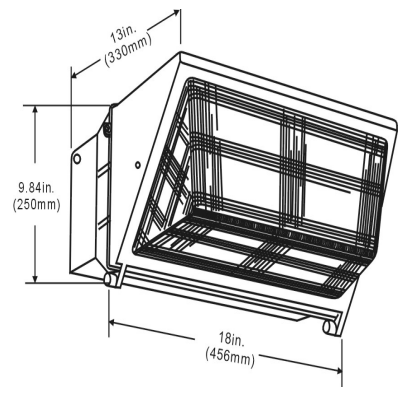
DIMENSIONS



WP1



WP2



WP3