



FEATURES & SPECIFICATIONS:

Construction

- Heavy-duty formed and welded housing and door frame of 304 stainless steel alloys (316 stainless steel optional)
- All external hardware is stainless steel to resist corrosion
- One-piece high temperature propylene gasket provides a water-tight seal between the door frame and housing
- Latching system allows for tool-free access to lamp chamber (see inset below)
- 3/4" hub supplied on one end with option for hubs on both ends for thru-wiring
- Standard finish is brushed stainless

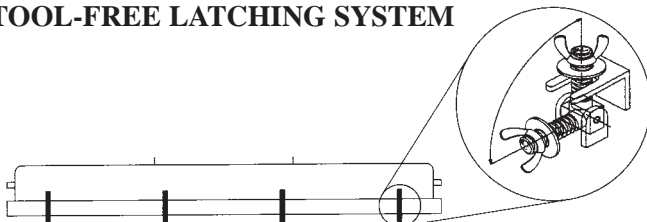
Optical System

- Impact resistant polycarbonate lens is standard, other lenses available
- High reflectance die formed pre-coated aluminum reflector

Electrical System

- Ballasts are UL listed (UL 935) and CSA certified, Class P, high power factor, Type 1 Outdoor, Type HL
- All electronic ballasts are universal voltage (120-277V, ≤10% THD) operating at 50/60HZ standard
- Cold weather operation to -20°C (T8HO & T12HO) and 0°C (T8)
- Cold weather operation to 0°C with optional battery pack
- Lamps are supplied standard on both 2' & 4' models

INDATECH'S STAINLESS STEEL TOOL-FREE LATCHING SYSTEM



HRT SERIES

**304 STAINLESS STEEL
FLUORESCENT
HAZARDOUS
CLASS I, DIV. 2
GROUPS A, B, C & D**

LISTINGS:

- UL/CUL Listed (UL 844)
Class I, Div. 2 Groups
A, B, C & D
- UL Listed (UL 1598A)
Marine/Outdoor use
- IP 66

APPLICATIONS:

- Waste water treatment plants
- Pulp and paper mills
- Chemical plants
- Pharmaceutical plants
- Mining
- Cold storage
- Hazardous storage areas
- Corrosive environments

OPTIONS:

- 316 Stainless steel housing & door frame
- Emergency battery
(1 or 2 lamps, 350-575 lumens)
- Fusing (Non-Marine)
- Adjustable mounting bracket kit
- 3/4" size hubs on both ends for thru wiring
- 4' Stainless steel safety cable

SHIPPING WEIGHT:

- 35 LBS

HRT SERIES 304 STAINLESS STEEL

ORDERING INFORMATION (Please enter your information in the boxes provided below)

SERIES	MATERIAL	# OF LAMPS	LAMP TYPE	VOLTAGE	OPTIONS
HRT4	SS	2	32	U	----
SERIES HRT2 = 2' HRT4 = 4'	MOUNTING SS = 304 STAINLESS STEEL HOUSING & DOOR FRAME	# OF LAMPS 1 = 1 LAMP 2 = 2 LAMPS	LAMP TYPE 17 = 2', 17WT8 24 = 2', 35WT12HO 32 = 4', 32WT8 44H = 4', 44WT8HO 48H = 4', 60WT12HO * Electronic ballast supplied standard ** Contact factory for T5 availability	VOLTAGE U* = 120/277 (<10% THD) 120 = 120V 277 = 277V * Supplied standard	OPTIONS 316 = 316 STAINLESS STEEL HOUSING & DOOR FRAME EMH = EMERGENCY BATTERY PACK (4' ONLY) F = FUSING (NON MARINE/FAST BLOW) SC4 = 4' STAINLESS STEEL SAFETY CABLE TW = 3/4" HUBS ON BOTH ENDS FOR THRU WIRING LL = LESS LAMPS

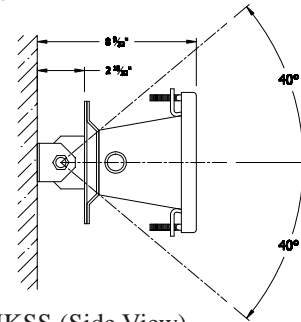
MOUNTING ACCESSORIES

Mounting hardware is **not included with fixtures and must be ordered separately.

**Mounting kits include two brackets and hardware



AMKSS = Adjustable Mounting Kit - Stainless Steel



AMKSS (Side View)

DIMENSIONS

