

HRT-SS SERIES

**304 STAINLESS STEEL
LED**

HAZARDOUS

CLASS I, DIV. 2

GROUPS A, B, C & D



FEATURES & SPECIFICATIONS:

Construction

- Heavy-duty formed and welded housing and door frame of 304 stainless steel alloys (316 stainless steel optional), available in 2' or 4' lengths
- Utilizes modules containing 28 individual LED's
- Available with up to 2 LED modules in 2' model, or up to 3 LED modules in 4' model
- All external hardware is stainless steel to resist corrosion
- One-piece high temperature propylene gasket provides a water-tight seal between the door frame and housing
- Latching system allows for tool-free access to lamp chamber (see inset below)
- 3/4" hub supplied on one end with option for hubs on both ends for thru-wiring
- Standard finish is brushed stainless

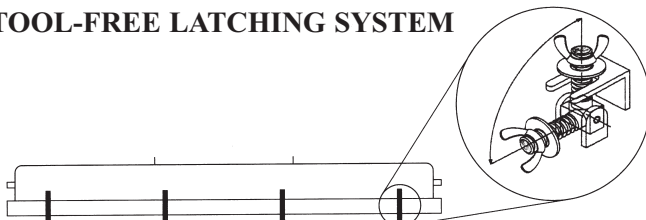
Optical System

- Impact resistant polycarbonate lens is standard, other lenses available
- LED modules are available in circular, square or rectangular light patterns

Electrical System

- Each LED module is powered by its own constant current driver for maximum efficiency
- Advanced heat-pipe heat sink reduces the size of the module and ensures optimal thermal management
- 33.8 W of power consumption per LED module and driver combination
- Delivered lumens per module= 2,650 @ 5700K and 2,200 @ 4000K
- CRI>70 @ 5700K and CRI>80 @ 4000K
- Driver operates at 120-277V, 50/60HZ
- Operating temperatures ranging from -40° C to 40° C
- 5 year warranty on LED system when installed per instructions

INDATECH'S STAINLESS STEEL TOOL-FREE LATCHING SYSTEM



LISTINGS:

- UL/CUL Listed (UL 844)
Class I, Div. 2 Groups
A, B, C & D
- UL Listed (UL 1598A)
Marine/Outdoor use
- IP 66

APPLICATIONS:

- Waste water treatment plants
- Pulp and paper mills
- Chemical plants
- Pharmaceutical plants
- Mining
- Cold storage
- Hazardous storage areas
- Corrosive environments

OPTIONS:

- 316 Stainless steel housing & door frame
- Adjustable mounting bracket kit
- 3/4" size hubs on both ends for thru wiring
- 4' Stainless steel safety cable

SHIPPING WEIGHT:

- 27 LBS

HRT SERIES 304 STAINLESS STEEL

ORDERING INFORMATION

SERIES	MATERIAL	# OF LED MODULES	DISTRIBUTION PATTERN	VOLTAGE	OPTIONS
HRT4	SS	3L	C	U	----
SERIES HRT2 = 2' HRT4 = 4'	MATERIAL SS = 304 STAINLESS STEEL HOUSING & DOOR FRAME	# OF LED MODULES 1L = 1 LED MODULE 2L = 2 LED MODULES 3L* = 3 LED MODULES *4' MODEL ONLY	DISTRIBUTION PATTERN C = CIRCULAR R = RECTANGULAR SQ = SQUARE	VOLTAGE U = 120-277 (<10% THD)	OPTIONS 316 = 316 STAINLESS STEEL HOUSING & DOOR FRAME SC4 = 4' STAINLESS STEEL SAFETY CABLE TW = ¾" HUBS ON BOTH ENDS FOR THRU WIRING

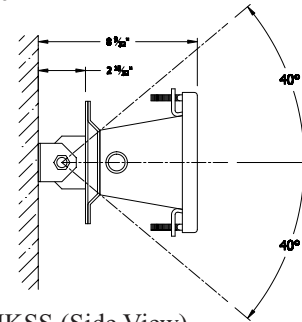
MOUNTING ACCESSORIES

Mounting hardware is **not included with fixtures and must be ordered separately.

**Mounting kits include two brackets and hardware



AMKSS = Adjustable Mounting Kit - Stainless Steel



AMKSS (Side View)

DIMENSIONS

