

VAF SERIES FLOODLIGHT HID



FEATURES & SPECIFICATIONS:

Construction

- Heavy-duty die cast aluminum housing and door frame
- Hinged door frame allows for easy maintenance
- One-piece silicone gasket forms a water-tight seal between the housing and door frame
- External hardware is corrosion resistant
- Prewired with 3' #16/3 cord (Yoke & Trunnion mount only)
- Available with steel yoke, steel trunnion or 2- $\frac{3}{8}$ " knuckle slip-fitter painted dark bronze
- Standard finish is dark bronze powder coat

Optical System

- Heat and impact resistant tempered glass lens
- Anodized aluminum reflector system with NEMA 7X6 beam pattern

Electrical System

- Quad-tap CWA, Class H ballasts are supplied with all metal halide fixtures and 250W & 400W high pressure sodium fixtures
- High reactance, high power factor quad-tap ballast is supplied with 150W high pressure sodium
- Minimum starting temperature -40°C high pressure sodium and -30°C metal halide
- Lamp is included

LISTINGS:

- UL/CUL Listed (UL 1598)
- Suitable for wet locations

APPLICATIONS:

- Industrial yards
- Parking lots
- Walkways
- Facade Lighting
- Recreational areas
- Security

OPTIONS:

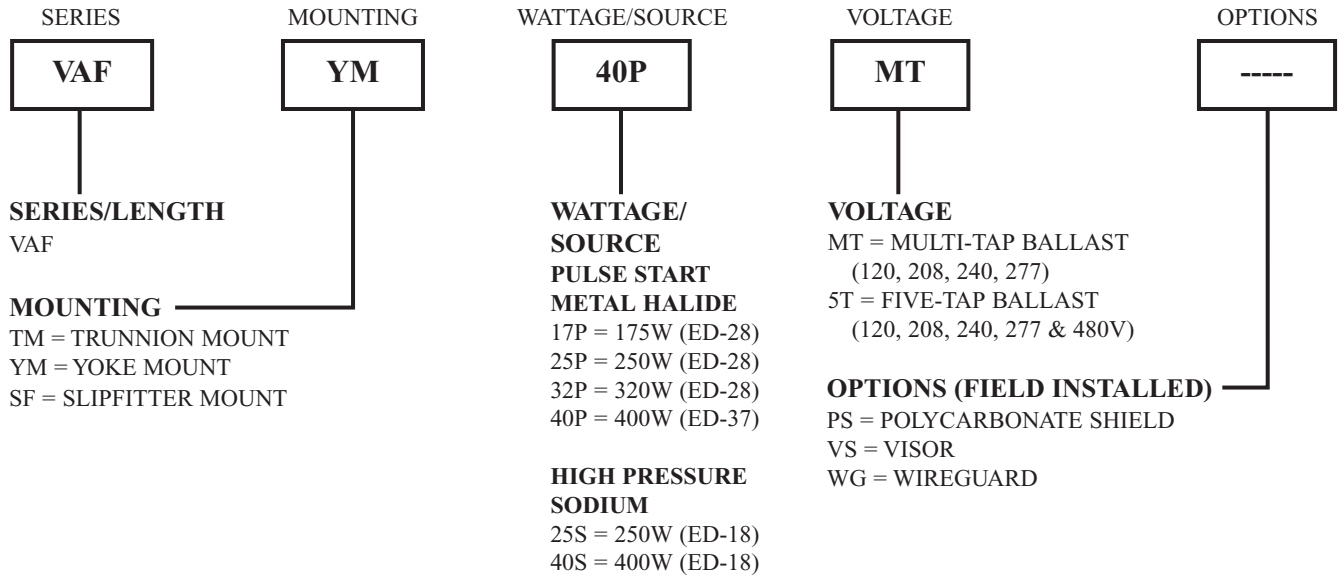
- Wire guard
- Visor
- Polycarbonate shield

SHIPPING WEIGHT:

- 20 LBS (Yoke Mount)
- 21 LBS (Slipfitter Mount)
- 22 LBS (Trunnion Mount)

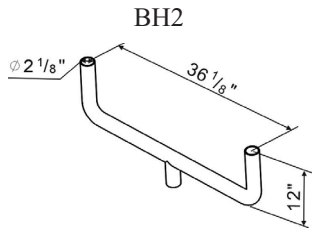
VAF SERIES

ORDERING INFORMATION

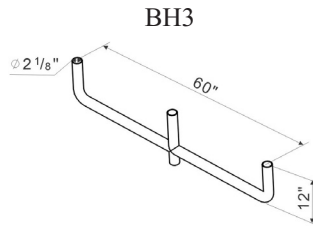


MOUNTING ACCESSORIES

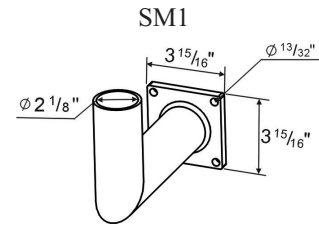
Mounting hardware is **not included with fixtures and must be ordered separately.



TWO FIXTURE BULLHORN

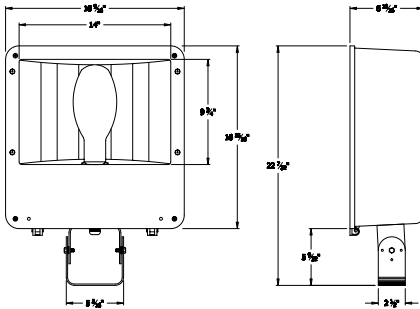


THREE FIXTURE BULLHORN
(3@180°)

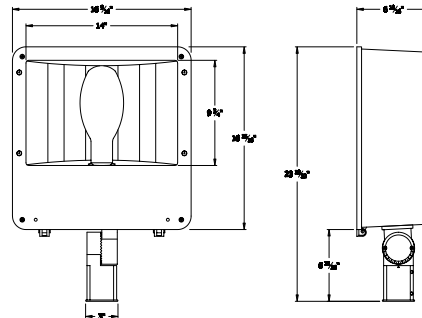


SURFACE MOUNT ADAPTER

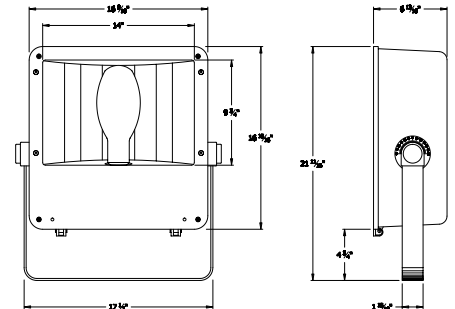
DIMENSIONS



YOKE MOUNT



SLIPFITTER MOUNT



TRUNNION MOUNT